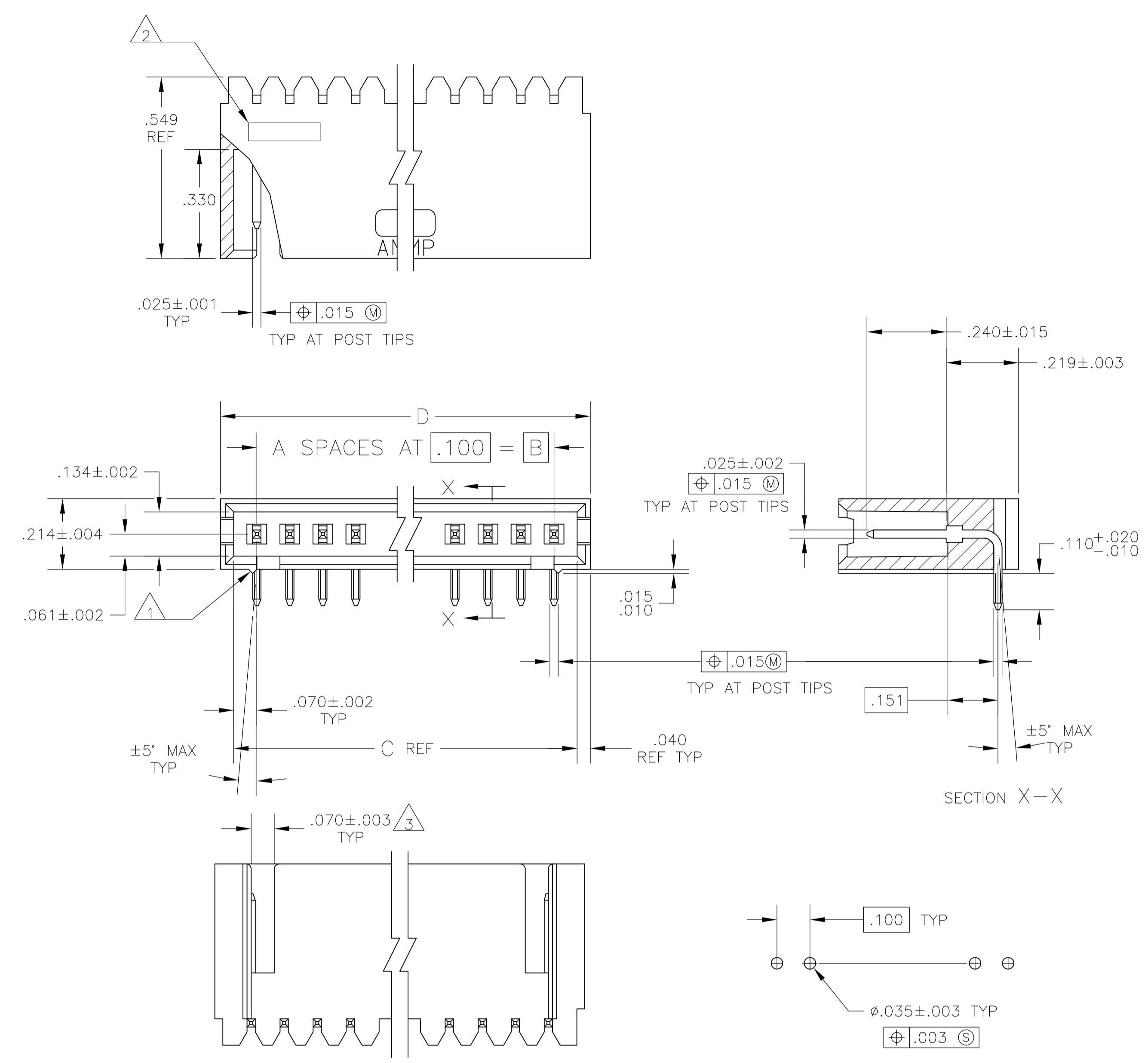


LOC		DIST		REVISIONS				
P	LTR	DESCRIPTION	DATE	DN	APVD			
R2		REVISED PER ECO-11-004587	11MAR11	RK	HMR			



RECOMMENDED HOLE LAYOUT

- 1 STANDOFFS:
3 THRU 9 POSN - (2 REQD) ON OUTSIDE ENDS OF HOUSING
10 THRU 18 POSN - (3 REQD) TWO ON OUTSIDE ENDS AND ONE CENTERED ON HOUSING
19 POSN AND LARGER - (4 REQD) TWO ON OUTSIDE ENDS AND TWO EVENLY SPACED WITHIN REMAINING LENGTH OF HOUSING
- 2 RECESSED DATE CODE
- 3 FOR 3 POSITION ONLY, ONE SLOT .215 WIDE.
- 4 .000100-.000200 BRIGHT TIN-LEAD OVER .000050 NICKEL.
- 5 .000100-.000200 BRIGHT TIN OVER .000050 NICKEL.
- 6 PRELIMINARY PART
- 7 .000100-.000200 MATTE TIN OVER .000050 NICKEL.
- 8 MATERIAL:
HOUSING: FLAME RETARDANT THERMOPLASTIC, COLOR: BLACK
POSTS: PHOS BRONZE
- 9 OBSOLETE PARTS: OBSOLETE CIS STREAMLINING PER D.RENAUD/D.SINISI

FINISH	D	C	B	A	NO. OF POSN	PART NO.
△	2.620	2.540	2.400	24	25	7-102523-3
△	2.520	2.440	2.300	23	24	7-102523-2
△	2.420	2.340	2.200	22	23	7-102523-1
△	2.320	2.240	2.100	21	22	7-102523-0
△	2.220	2.140	2.000	20	21	6-102523-9
△	2.120	2.040	1.900	19	20	6-102523-8
△	2.020	1.940	1.800	18	19	6-102523-7
△	1.920	1.840	1.700	17	18	6-102523-6
△	1.820	1.740	1.600	16	17	6-102523-5
△	1.720	1.640	1.500	15	16	6-102523-4
△	1.620	1.540	1.400	14	15	6-102523-3
△	1.520	1.440	1.300	13	14	6-102523-2
△	1.420	1.340	1.200	12	13	6-102523-1
△	1.320	1.240	1.100	11	12	6-102523-0
△	1.220	1.140	1.000	10	11	5-102523-9
△	1.120	1.040	.900	9	10	5-102523-8
△	1.020	.940	.800	8	9	5-102523-7
△	.920	.840	.700	7	8	5-102523-6
△	.820	.740	.600	6	7	5-102523-5
△	.720	.640	.500	5	6	5-102523-4
△	.620	.540	.400	4	5	5-102523-3
△	.420	.340	.200	2	3	5-102523-2
△	.520	.440	.300	3	4	5-102523-1
△	1.120	1.040	.900	9	10	3-102523-7
△	.920	.840	.700	7	8	3-102523-6
△	.520	.440	.300	3	4	3-102523-5
△	3.720	3.640	3.500	35	36	3-102523-4
△	3.620	3.540	3.400	34	35	3-102523-3
△	3.520	3.440	3.300	33	34	3-102523-2
△	3.420	3.340	3.200	32	33	3-102523-1
△	3.320	3.240	3.100	31	32	3-102523-0
△	3.220	3.140	3.000	30	31	2-102523-9
△	3.120	3.040	2.900	29	30	2-102523-8
△	3.020	2.940	2.800	28	29	2-102523-7
△	2.920	2.840	2.700	27	28	2-102523-6
△	2.820	2.740	2.600	26	27	2-102523-5
△	2.720	2.640	2.500	25	26	2-102523-4
△	2.620	2.540	2.400	24	25	2-102523-3
△	2.520	2.440	2.300	23	24	2-102523-2
△	2.420	2.340	2.200	22	23	2-102523-1
△	2.320	2.240	2.100	21	22	2-102523-0
△	2.220	2.140	2.000	20	21	1-102523-9
△	2.120	2.040	1.900	19	20	1-102523-8
△	2.020	1.940	1.800	18	19	1-102523-7
△	1.920	1.840	1.700	17	18	1-102523-6
△	1.820	1.740	1.600	16	17	1-102523-5
△	1.720	1.640	1.500	15	16	1-102523-4
△	1.620	1.540	1.400	14	15	1-102523-3
△	1.520	1.440	1.300	13	14	1-102523-2
△	1.420	1.340	1.200	12	13	1-102523-1
△	1.320	1.240	1.100	11	12	1-102523-0
△	1.220	1.140	1.000	10	11	1-102523-9
△	1.120	1.040	.900	9	10	1-102523-8
△	1.020	.940	.800	8	9	1-102523-7
△	.920	.840	.700	7	8	1-102523-6
△	.820	.740	.600	6	7	1-102523-5
△	.720	.640	.500	5	6	1-102523-4
△	.620	.540	.400	4	5	1-102523-3
△	.420	.340	.200	2	3	1-102523-2
△	.520	.440	.300	3	4	1-102523-1

△ SUP BY 6-102523-4

THIS DRAWING IS A CONTROLLED DOCUMENT. DIN S.A. SHUEY 28SEP89. H.MOLL 30CT89. R.ELICKER 30CT89. NAME: HEDADER ASSEMBLY MOD II, SINGLE ROW .100 C/L, RIGHT ANGLE. APPLICATION SPEC. SIZE: A1. CAGE CODE: 00779. DRAWING NO: 102523. WEIGHT: -. RESTRICTED TO: CUSTOMER DRAWING. SCALE: 4:1. SHEET: 1 OF 1. REV: R2.